

PANTHER T12



PAYLOAD
25,000 lb • 11,340 kg



SPEED
8.4 mph • 13.5 km/h



CAPACITY
7.7 yd³ • 5.9 m³



ENGINE

Make/Model/Type	Caterpillar C7.1 Diesel engine	
Emission Level	EPA Tier 4 Final/ EU Stage V	
Max Power Output	250 HP @2200 rpm	186 kW @2200 rpm

TRANSMISSION

Hydrostatic variable displacement pumps and motors

UNDERCARRIAGE

Track Type	Metal-embedded rubber track (MERT)	
Track Width	29.5 in	750 mm
Ground Clearance	21 in	530 mm
Ground Pressure		
without load	3.50 psi	24.13 kPa
with load	6.20 psi	42.75 kPa

BRAKE

Service Brake	Wet Multiple Disk Brakes	
---------------	--------------------------	--

PERFORMANCE

Payload Dump Body	25,000 lb	11,340 kg
Payload Bare Chassis	28,793 lb	13,060 kg
Operating Weight		
Unloaded Dump Body	32,673 lb	14,820 kg
Travel Speed	8.4 mph	13.5 km/h
Dump Body Capacity		
Struck	6.4 yd ³	4.9 m ³
Heaped	7.7 yd ³	5.9 m ³
Maximum Gradeability		
Uphill/Downhill	60%	31°
Side hill	40%	21.8°

FLUID CAPACITIES

Diesel Fuel	65 gal (US)	245 l
DEF / AdBlue [†]	7.1 gal (US)	27 l

ELECTRICAL SYSTEM

Voltage	12 V	
Alternator Capacity	150 A	
Battery Capacity	1150 CCA (two)	

EQUIPMENT

STANDARD EQUIPMENT • BARE CHASSIS

Operator environment

Narrow cab – 1 person
Tilt and telescopic steering wheel
Foot throttle pedal
Operator seat with suspension and adjustments
Air conditioning
Adjustable temperature, fan control and fresh air intake
Three-point seat belt
Front and rear wipers with adjustable speeds
Windshield washer
Two exterior mirrors (right-side remotely adjustable)
Main display 4.3 in (111 mm)

Safety

Parking brake linked to seat belt
Side window emergency exit
ROPS ISO 3471
Back-up alarm
Horn
First aid kit
Fire extinguisher

Electrical and Lighting

Working lights, LED (two front, one rear)
Batteries maintenance-free (two)
Battery disconnect switch

Other

Pressurized hydrostatic oil tank
Lockable compartments for fluids and batteries
D-ring for transportation (four)
Lockable door
Spare parts catalog
Operating and maintenance manuals

OPTIONAL EQUIPMENT

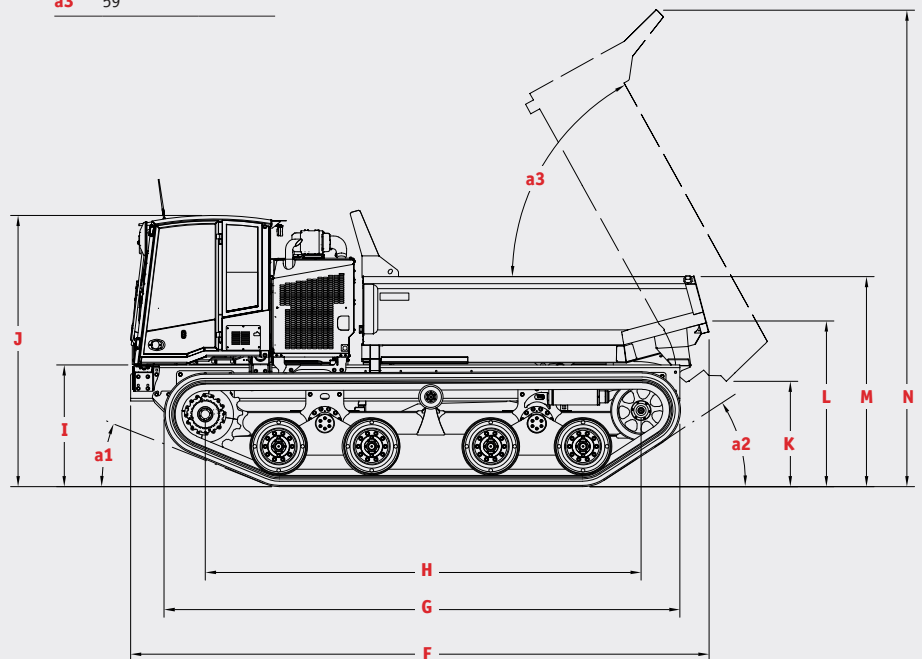
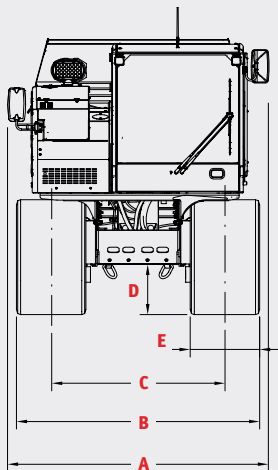
Dump body	Flashing LED beacon light	Engine coolant heater
Tilt deck	Inclinometer built into display with adjustable alarms	Front frame extensions
Spacious wide cab – 1 person (avail. with Dump Body option only)	Heated mirrors	Front winch 30,000 lb / 13,608 kg
Trainer seat	Front brushguard	Power take off adaptors
Bluetooth Radio, USB and AM/FM	FOPS ISO 3449	Implement-ready Electronic kit
Rear view camera	Engine block and hydraulic oil heaters	

DIMENSIONS

A 110.3 in	2,801 mm	G 214.8 in	5,456 mm
B 101.2 in	2,570 mm	H 181.7 in	4,615 mm
C 71.7 in	1,820 mm	I 50.6 in	1,285 mm
D 20.9 in	530 mm	J 114.9 in	2,918 mm
E 29.5 in	750 mm	K 44.2 in	1,123 mm
F 240.4 in	6,107 mm	L 68.0 in	1,727 mm

M 87.4 in	2,219 mm
N 198.1 in	5,033 mm
a1	43°
a2	33°
a3	59°

Dump Body Width	83.1 in	2,112 mm
Dump Body Length	142.6 in	3,621 mm



PRINOTH Ltd., 1001 J.-A. Bombardier Street, Granby QC J2J 1E9, CANADA

Service: 450-776-3663 after.sales.service.na@prinoth.com

Parts: 1-866-776-3636 parts.na@prinoth.com

Sales: 450-776 3600 sales.na@prinoth.com